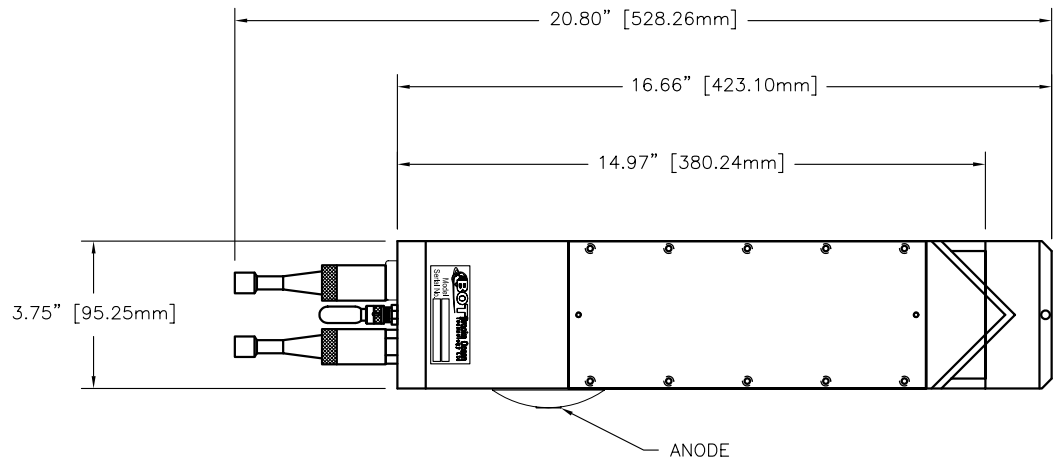


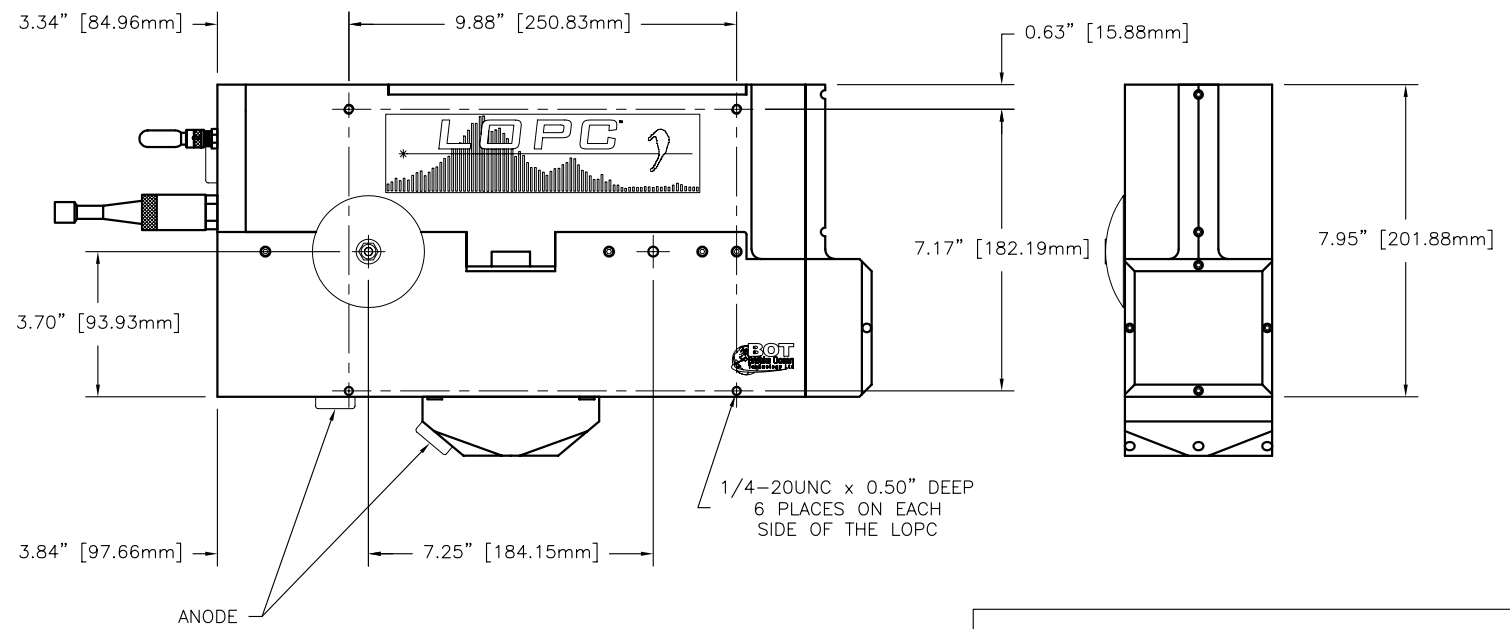
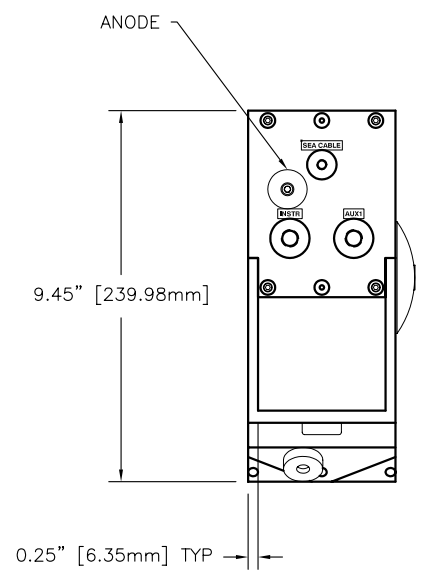
STANDARD TOWED LOPC (LOPC-660)
ALUMINUM CONSTRUCTION

TITLE: LASER OPTICAL PLANKTON COUNTER
GENERAL DIMENSIONS AND INFORMATION



GENERAL INFORMATION

1. WEIGHT IN AIR = 11.4 kg [25 lbs]
2. WEIGHT IN SALTWATER = 6.0 kg [13 lbs]




BROOKE OCEAN
TECHNOLOGY LIMITED
DWG No.: 0400-0-0-0-01C
DATE : SEPT. 23/04